

2.50mm (0.098") PITCH CONNECTOR

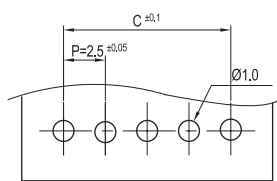
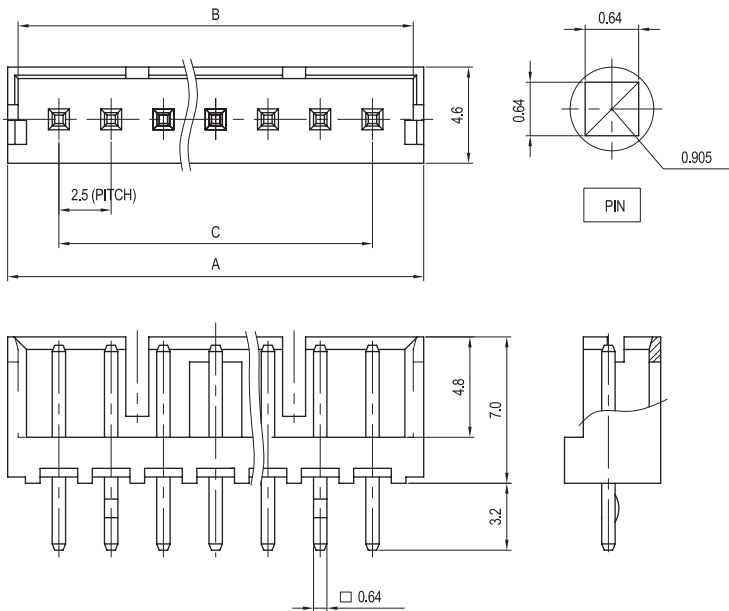
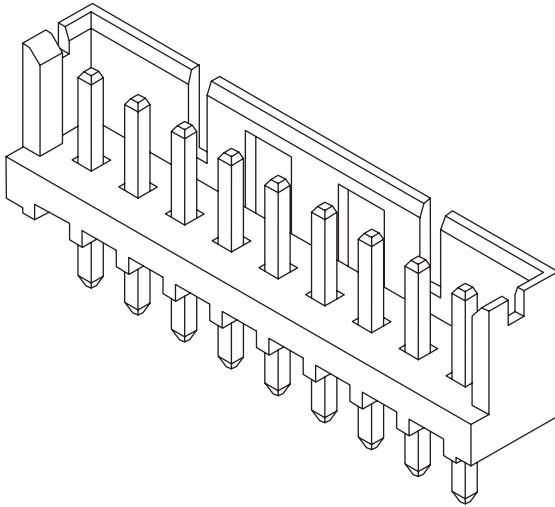


**Board-to-Board
Wafer**

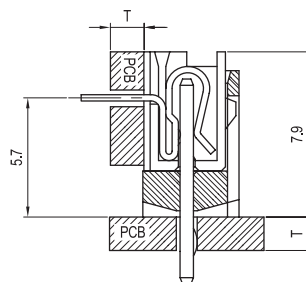
BMW250 Series

DIP

Straight



PCB LAYOUT



PCB ASS'Y

Material

| I/NO | DESCRIPTION | TITLE | MATERIAL |
|------|-------------|--------|--------------------|
| 1 | WAFER | BMW250 | PA66, UL94 V Grade |
| 2 | PIN | | Brass & Tin-Plated |

Available Pin

| PARTS NO. | DIM. A | DIM. B | DIM. C |
|-----------|--------|--------|--------|
| BMW250-03 | 9.9 | 8.9 | 5.0 |
| BMW250-04 | 12.4 | 11.4 | 7.5 |
| BMW250-05 | 14.9 | 13.9 | 10.0 |
| BMW250-06 | 17.4 | 16.4 | 12.5 |
| BMW250-07 | 19.9 | 18.9 | 15.0 |
| BMW250-08 | 22.4 | 21.4 | 17.5 |
| BMW250-09 | 24.9 | 23.9 | 20.0 |
| BMW250-10 | 27.4 | 26.4 | 22.5 |
| BMW250-11 | 29.9 | 28.9 | 25.0 |
| BMW250-12 | 32.4 | 31.4 | 27.5 |
| BMW250-13 | 34.9 | 33.9 | 30.0 |

Specification

| ITEM | SPEC |
|------------------------|--------------|
| Voltage Rating | AC/DC 250V |
| Current Rating | AC/DC 2A |
| Operating Temperature | -25°C~+85°C |
| Contact Resistance | 30mΩ MAX |
| Withstanding Voltage | AC1000V/1min |
| Insulation Resistance | 1000MΩ MIN |
| Applicable Wire | - |
| Applicable P.C.B | 1.2~1.6mm |
| Applicable FPC/FFC | - |
| Solder Height | - |
| Crimp Tensile Strength | - |
| UL FILE NO | - |